
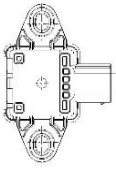
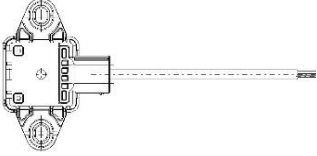
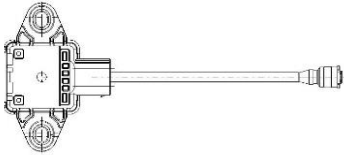


# Acceleration Sensor MM7.10

## Calibration Sheet

	<p>Customer:</p> <p>Order Number: (To be filled by Bosch)</p> <p>Date:</p>
---	--

Software parameters			
Position	Configuration		
Low Pass Filter	15Hz	30Hz	70Hz
CAN Baud Rate	500Kbaud		1Mbaud
CAN Update Rate	100Hz		200Hz
ID1 (CAN-Message 1)	Possible values (0x000 ... 0x7FF)		
ID2 (CAN-Message 2)	Possible values (0x000 ... 0x7FF)		
ID3 (CAN-Message 3)	Possible values (0x000 ... 0x7FF)		

Hardware parameters		
Configuration	Drawing	Cable length [mm]
Sensor without external cable or connector (with integrated connector)		
Sensor with cable flying leads – open end		
Sensor with external Motorsport connector ***		

<b>NEEDED PART NUMBER</b> (to be filled by Bosch)	
--	--

\*\*\*Standard Motorsport Connector: Deutsch ASL 6-06-05PC-HE

Please check the next page for further information concerning the CAN-Matrix and sensor signals

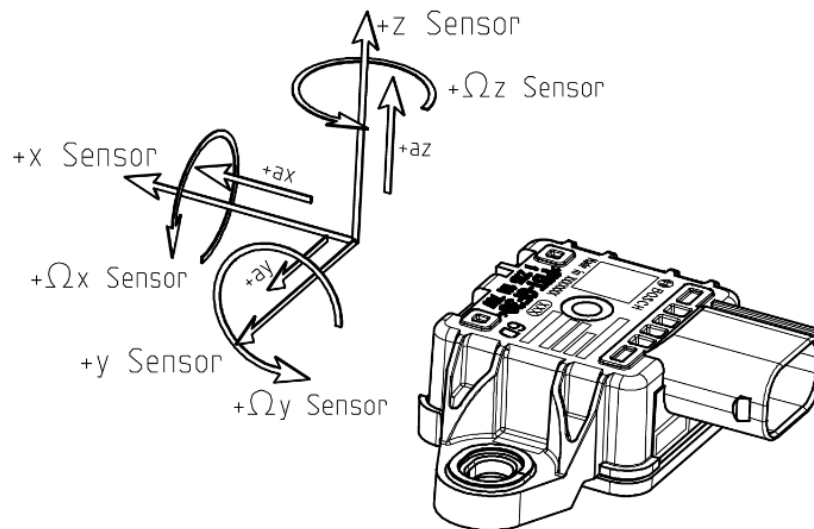
# Acceleration Sensor MM7.10

## CAN-Matrix configuration

### CAN-Matrix for Firmware with 3 CAN messages

CAN Protocol								
Byte order								
LSB (intel)								
CAN_ID_01								
Byte	0	1	2	3	4	5	6	7
Value	Yaw Rate ( $\Omega_z$ )		reserved	reserved	Acc Y Axis (Ay)		reserved	reserved
CAN_ID_02								
Byte	0	1	2	3	4	5	6	7
Value	Roll Rate ( $\Omega_x$ )		reserved	reserved	Acc X Axis (Ax)		reserved	reserved
CAN_ID_03								
Byte	0	1	2	3	4	5	6	7
Value	Pitch Rate ( $\Omega_y$ )		reserved	reserved	Acc Z Axis (Az)		reserved	reserved

### Dimensions



**Represented by:**

**Europe:**

Bosch Engineering GmbH  
Motorsport  
Robert-Bosch-Allee 1  
74232 Abstatt  
Germany  
Tel.: +49 7062 911 9101  
Fax: +49 7062 911 79104  
motorsport@bosch.com  
www.bosch-motorsport.de

**North America:**

Bosch Engineering North America  
Motorsport  
38000 Hills Tech Drive  
Farmington Hills, MI 48331-3417  
United States of America  
Tel.: +1 248 876 2977  
Fax: +1 248 876 7373  
motorsport@bosch.com  
www.bosch-motorsport.com

**Latin America:**

Robert Bosch Ltda  
Motorsport  
Av Juscelino Kubitschek de  
Oliveira 11800  
Zip code 81460-900  
Curitiba - Parana  
Brasilia  
Tel.: +55 41 3341 2057  
Fax: +55 41 3341 2779

**Asia-Pacific:**

Bosch Engineering Japan K.K.  
Motorsport  
18F Queen's Tower C, 2-3-5 Minato  
Mirai  
Nishi-ku, Yokohama-shi  
Kanagawa 220-6218  
Japan  
Tel.: +81 45 650 5610  
Fax: +81 45 650 5611  
www.bosch-motorsport.jp

**Australia, New Zealand and South Africa:**

Robert Bosch Pty. Ltd  
Motorsport  
1555 Centre Road  
Clayton, Victoria, 3168  
Australia  
Tel.: +61 (3) 9541 3901  
motor.sport@au.bosch.com